

## CNC MINI ONE

The MINI CNC is a flexible and economic way to automate small injection moulding machines. The Freely Programmable control with step by step guide, makes it possible to realise extremely flexible work cycles with no limitations to program complexity or length; all operations and commands are user friendly.

### TECHNICAL SPECIFICATIONS

- Brushless servomotors on the three axes
- All axes guided by linear bearings
- Interpolated axes motion
- Two vacuum circuits and Two gripper circuit as standard
- Part monitoring by digital vacuum switch
- Timed output for conveyor belt control
- Four External outputs and Two inputs freely programmable to interface the robot with other equipment

### CONTROLLER SPECIFICATIONS

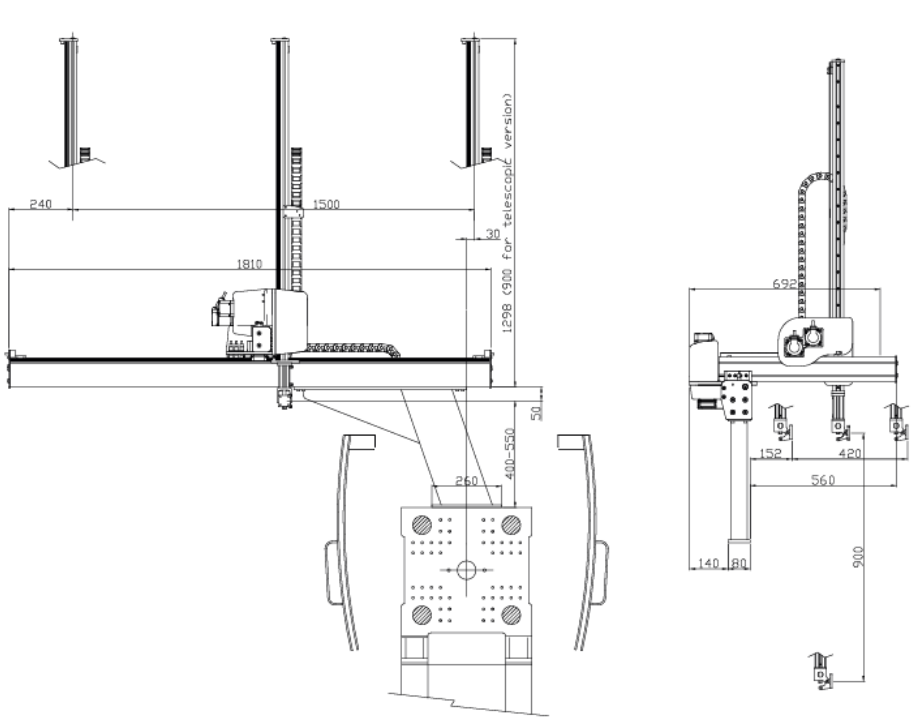
- Mobile teach pendant with 7" touch screen colour display
- Manual teach mode of main axis
- Work cycles made up of any sequence of movements
- Programme storage via USB key
- Graphical user interface of robot movements



## TECHNICAL SPECIFICATIONS

- Maximum Gripper weight: 3 kg
- Minimum cycle time: 5.0 s
- Repeatability: +/- 0.1 mm

## DIMENSIONS



Axis	Movement	Stroke mm
X	Demould Stroke	420
Y	Vertical	900
Z	Traverse	1500